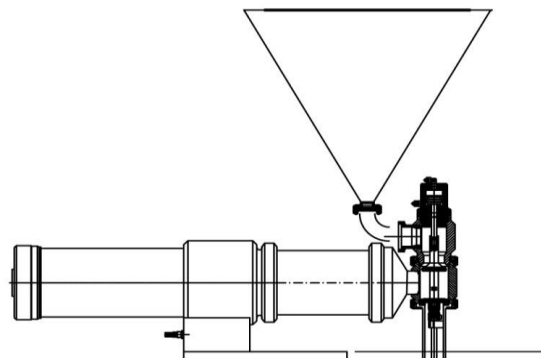




PNEUMATIC DOSING PUMP

Volumetric filling

Suitable for use with liquid, dense and pasty products



Dosing of DENSE products such as:  
jam, lotion, gel, toothpaste, resin, burrata, mozzarella, stracciatella, paints, sauces, chocolate, creams

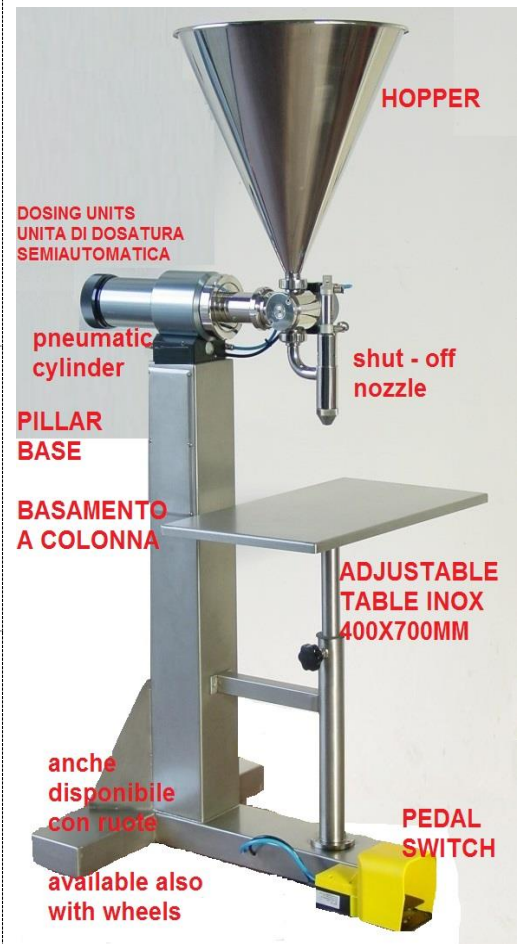
Dosatura di prodotti DENSE come ad esempio :  
marmellata, lozione, gel, dentifricio, resina, burrata, mozzarella, stracciatella, vernici, salse, sughi, cioccolato, creme

Dosage of semi-DENSE products such as:  
Yogurt, honey, mousse, liquid soap, syrup

Dosatura di prodotti semi- DENSE come ad esempio :  
Yogurt, miele, mousse, sapone liquido, sciroppo

Dosing of LIQUID products such as:  
Shampoo, tonic, perfume, acids, detergents, solvents, milk, fruit juice

Dosatura di prodotti LIQUIDI come ad esempio :  
Shampoo, tonico, profumo, acidi, detergenti, solventi, latte, succo di frutta



The volumetric dosers allow a rapid and precise dosage for each type of liquid and dense product

- the parts in contact with the product are made of stainless steel
- all parts can be easily dismantled for cleaning and maintenance
- the volume is controlled by a numbered scale on the steering wheel located on the back of the dosing cylinder
- the adjustment of the suction and delivery speed is finely adjustable
- the dosage is compact and allows easy installation of any additional automatic systems
- the dosing piston seals are made of resistant and reliable materials

#### CARATTERISTICHE TECNICHE - TECHNICAL FEATURES

Materiale a contatto con prodotto - Material in contact with product	Steel inox AISI 316
Guarnizioni a contatto con prodotto - Seals in contact with product	Teflon
Materiale Parte Pneumatica - Pneumatic Part Material	Aluminum anticorodal anodized
Pressione min. aria compressa - Min pressure compressed air	6 – 8 bar



MADE IN ITALY



DEBANT - EAST EUROPE DISTRIBUTION

[www.debantsrl.com](http://www.debantsrl.com) - [info@debantsrl.com](mailto:info@debantsrl.com)

